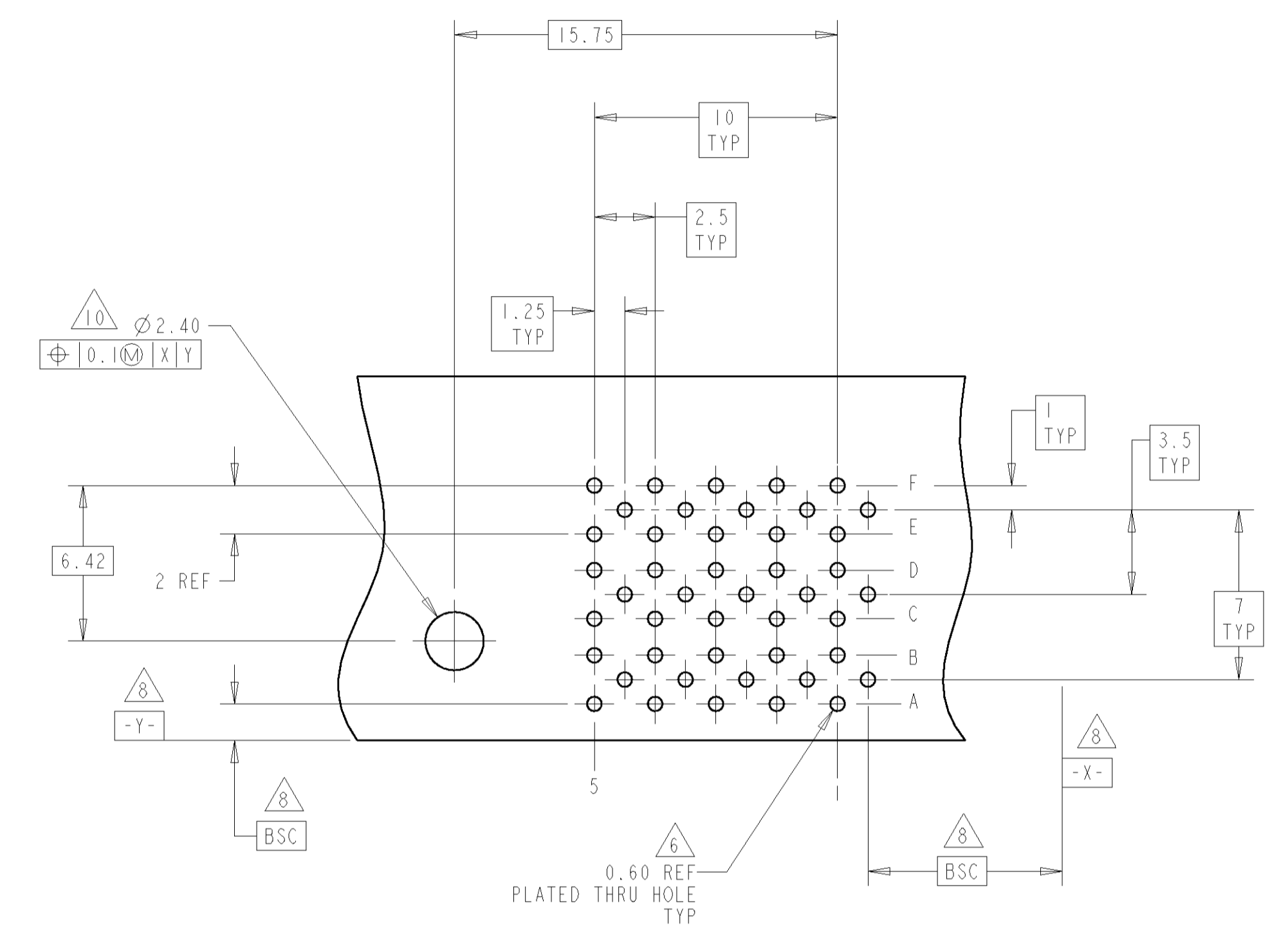
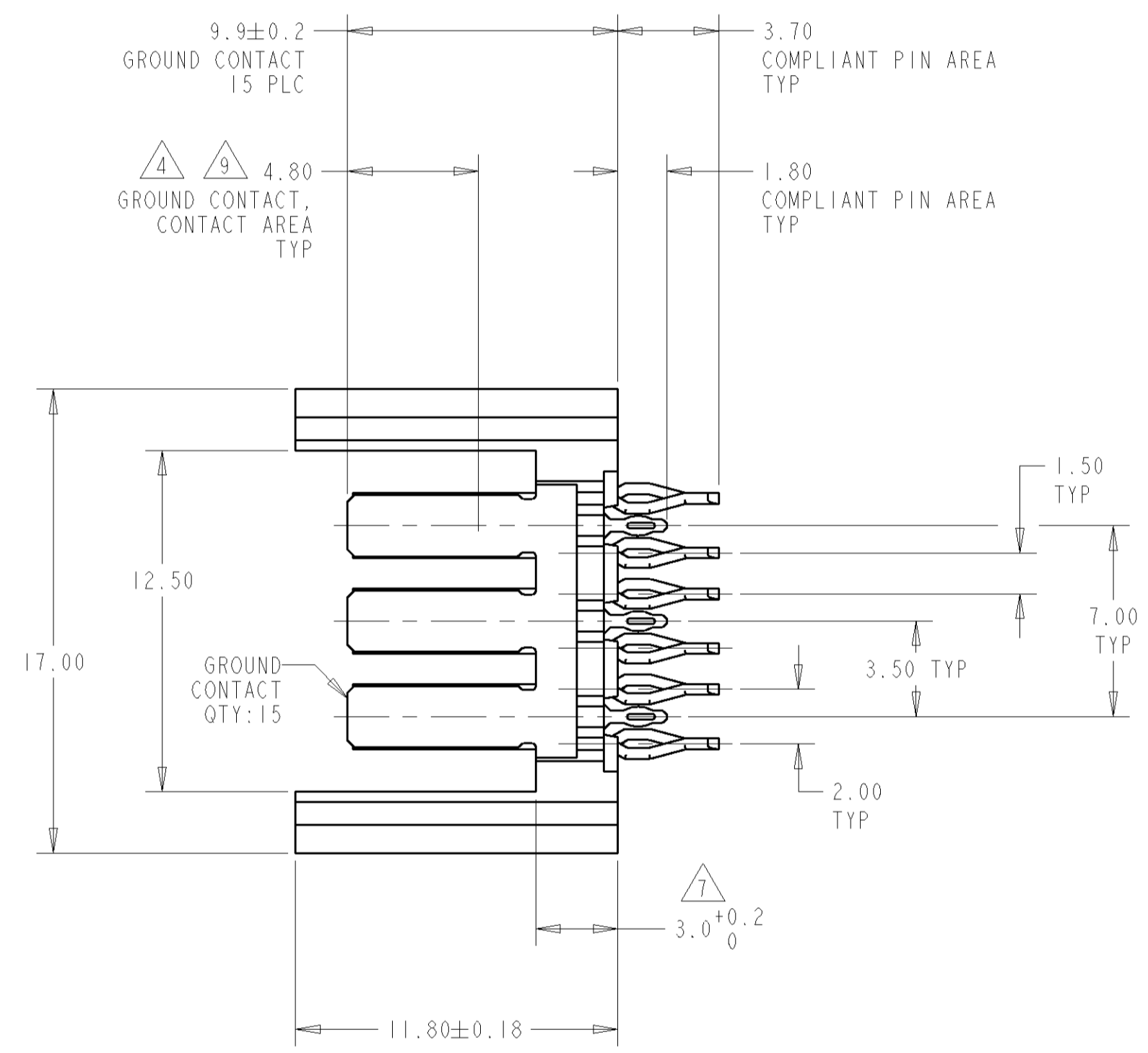
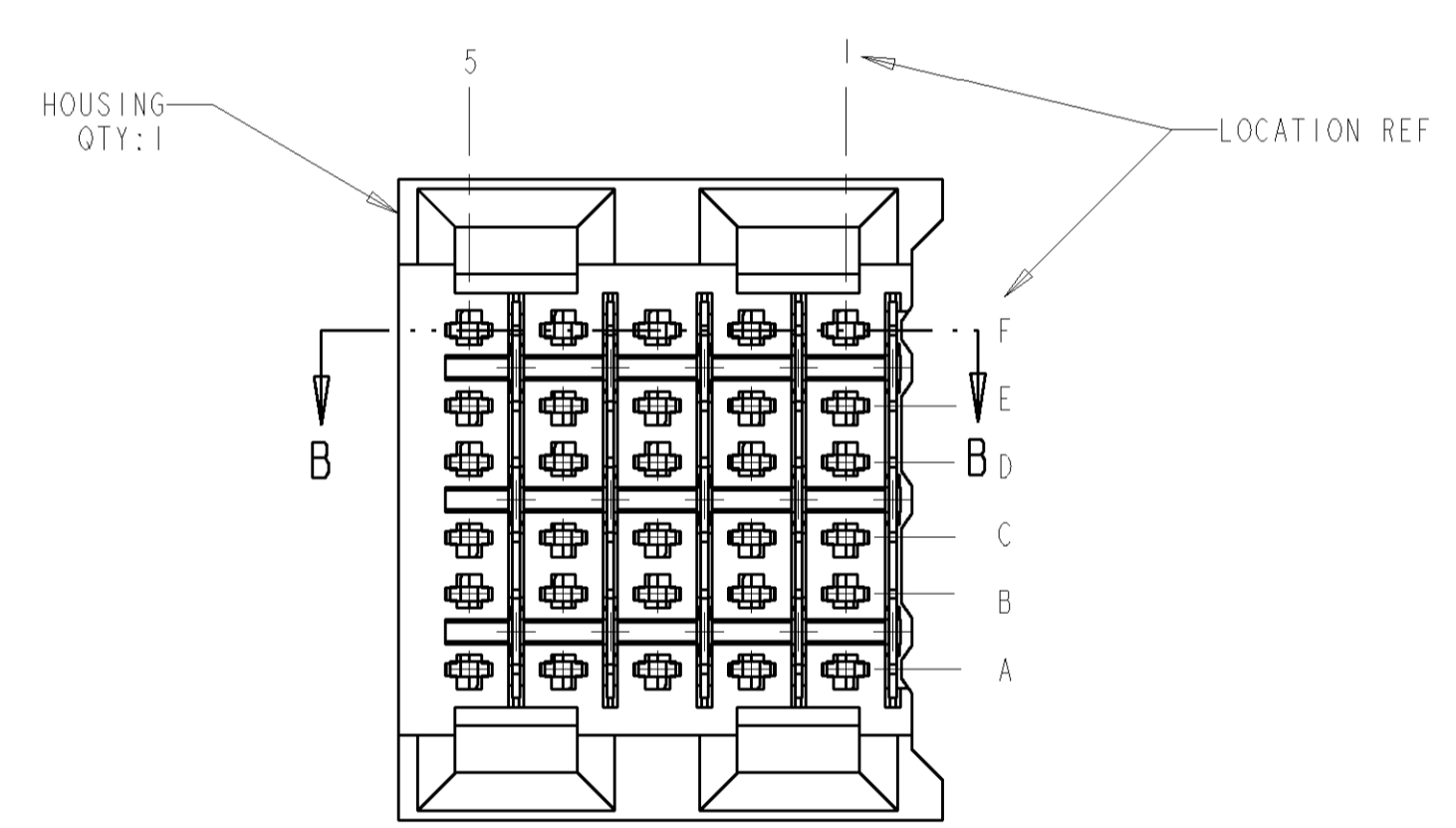
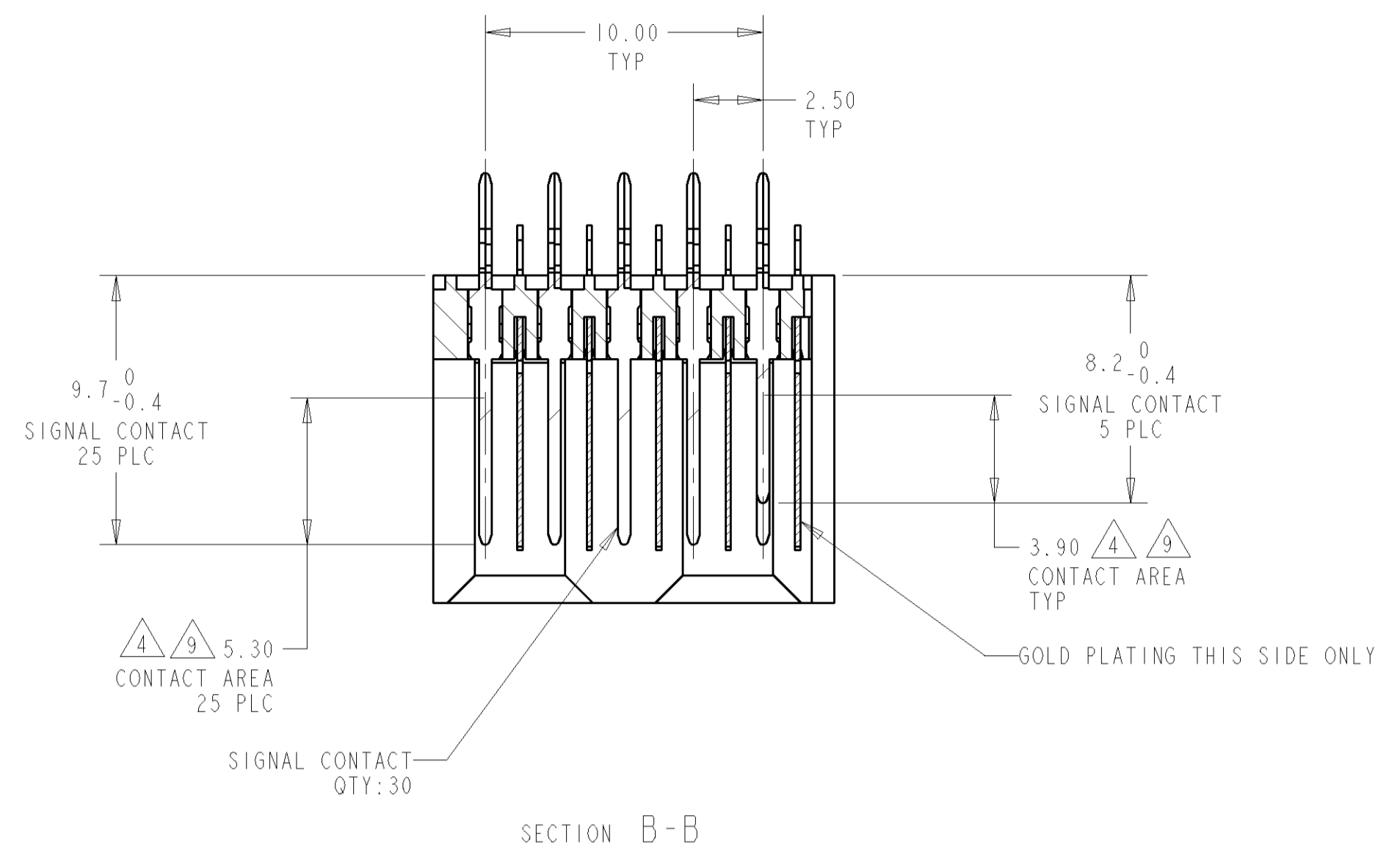
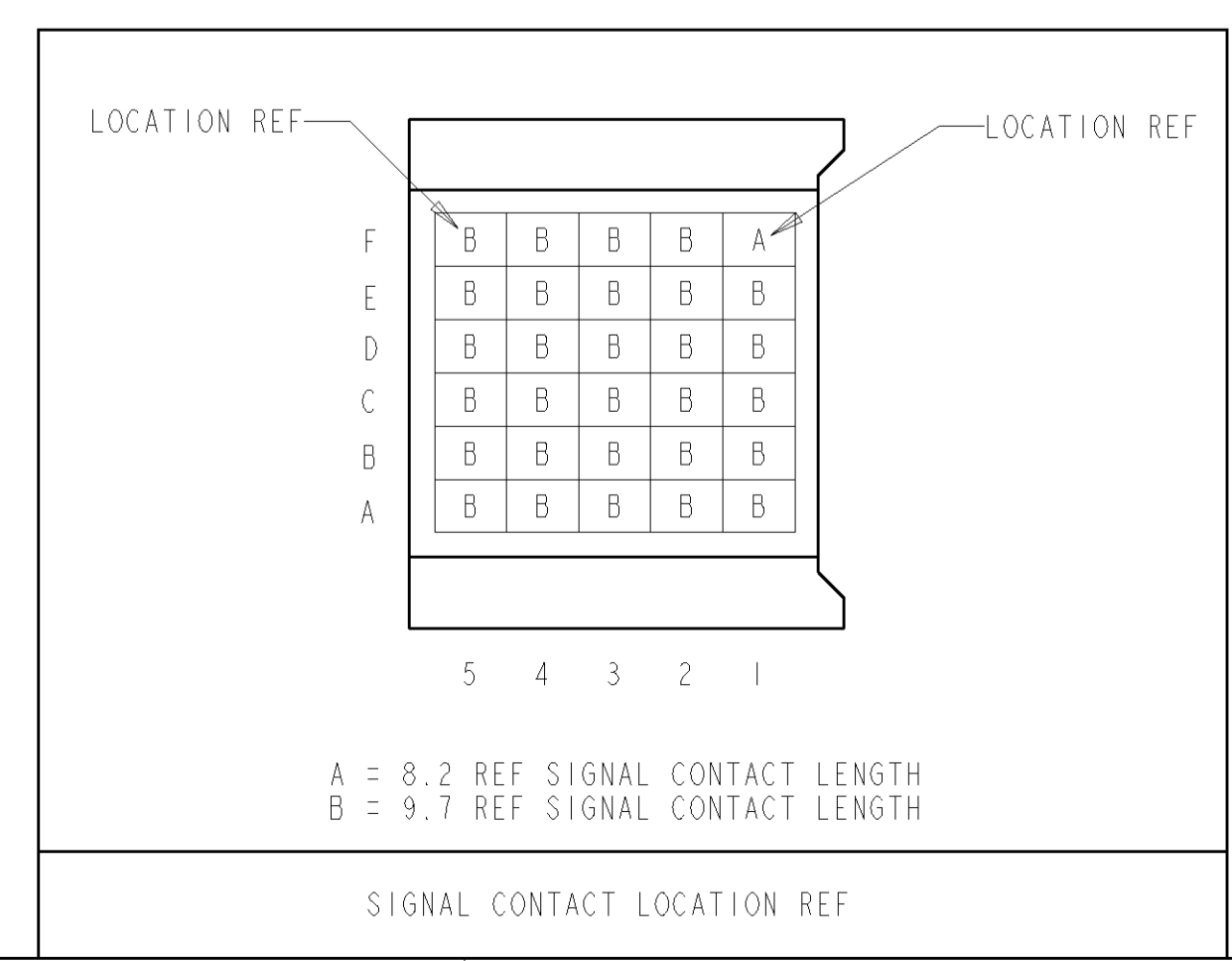
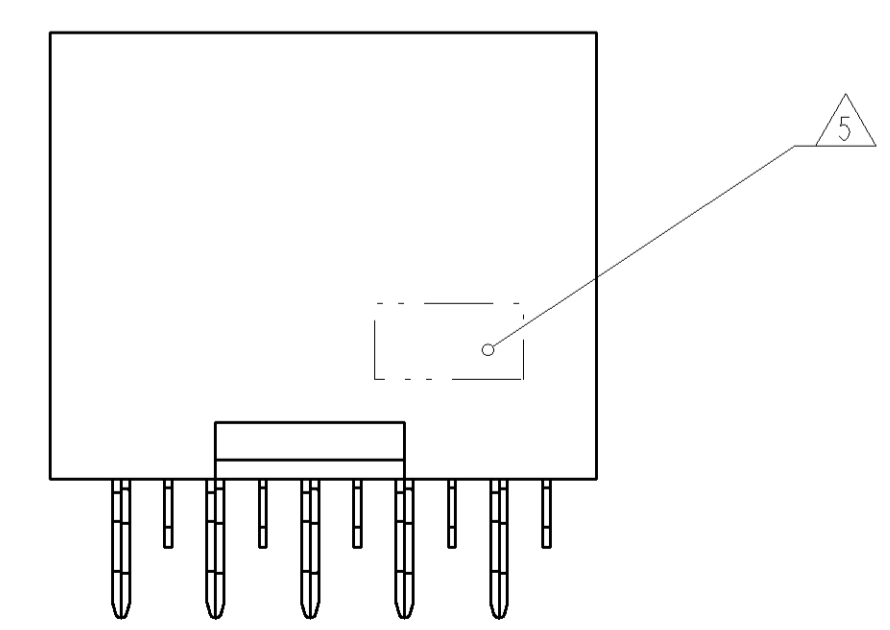


LOC	DIST	REV	DATE	BY	APPD
AD	00	1	26 JUL 2006	BC	RP
		A	05 OCT 2006	BC	RP
		A1	18 JAN 2007	JRP	RAF

- 2 PHOSPHOR BRONZE
- 3 LCP, UL94V-0
- 4 0.76µm MIN GOLD OVER 1.27µm MIN NICKEL UNDERPLATE OR GOLD FLASH OVER 0.76µm MIN PALLADIUM-NICKEL OVER 1.27µm MIN NICKEL UNDERPLATE ON CONTACT AREA. 0.76µm MIN TIN LEAD OVER 1.27µm MIN NICKEL ON COMPLIANT PIN AREA
- 5 CONNECTOR MARKED WITH PART NUMBER AND DATE CODE.
- 6 REFERENCE APPLICATION SPEC 114-13020 FOR RECOMMENDED PLATED THRU HOLE DIAMETER AND PLATING THICKNESS.
- 7 APPLICATION SEATING HEIGHT TO PRINTED CIRCUIT BOARD.
- 8 DATUMS AND BASIC DIMENSIONS ESTABLISHED BY CUSTOMER.
- 9 CONTACT AREA LUBRICATED WITH BELLCORE APPROVED LUBRICANT. TECHNICAL REFERENCE: GR-1217-CORE, ISSUE 1, NOVEMBER 1995.
- 10 HOLE DIAMETER SHOULD BE 3.10 WHEN USING FEED THROUGH GUIDE PIN P/N 120759. CLEARANCE FOR M3x0.5 THREAD.



RECOMMENDED PRINTED CIRCUIT BOARD LAYOUT  
 COMPONENT SIDE OF PRINTED CIRCUIT BOARD



ROWS A,B,C,D,E ROW F: 2-5	ROW F: 1	120993-1
SIGNAL CONTACT TYPE B QTY: 29 9.7 LENGTH REF	SIGNAL CONTACT TYPE A QTY: 1 8.2 LENGTH REF	PART NUMBER

DIMENSIONS: mm 		TOLERANCES UNLESS OTHERWISE SPECIFIED: 0 PLC ± 1 PLC ±0.13 2 PLC ±0.13 3 PLC ±0.05 4 PLC ± ANGLES ±		DWN B CARBO 26 JUL 2006 ENR R PATTERSON 26 JUL 2006 APVD R PATTERSON 26 JUL 2006 PRODUCT SPEC APPLICATION SPEC WEIGHT CUSTOMER DRAWING		Tyco Electronics Harrisburg, PA 17105-3608 NAME HEADER ASSEMBLY, 30 POSITION, SEQUENCED, RIGHT HAND, 6 ROW, Z-PACK HS3 SIZE CAGE CODE DRAWING NO RESTRICTED TO A1 00779 C=120993 SCALE 5:1 SHEET 1 OF 1 REV A1	
-----------------------	--	---	--	--	--	--	--